



SUPER-TRAC

PORTABLE INCLINED PLATFORM WHEELCHAIR LIFT



The Garaventa Super-Trac is the world's only portable inclined platform lift. It provides instant, affordable accessibility. The unique platform design will accommodate almost all types of wheelchairs including power, child, sports and conventional adult wheelchairs.

SYSTEM

1 Headrest

Adjustable for passenger comfort.

2 Control Panel

Simple operating controls include a battery charge indicator and a key switch to prevent unauthorized use.

3 Battery Powered

Power is provided by 24 volt rechargeable battery pack for complete portability. Includes automatic battery charger.

4 Wheelchair Tie-Down Straps

Wheelchair is securely attached to platform with 4 adjustable tie-down straps.

5 Platform

Large platform accommodates virtually any wheelchair including electric models and sports chairs.

6 Parking Brake

Electrically activated parking brake ensures stability during boarding.

7 Tracks

Rubber tracks are steel-reinforced to ensure strength and durability. The unique tread design grips all types of stairs.

8 Auxiliary Wheels

Large wheels allow easy travel across landings and between flights of stairs.

9 Seatbelt

Electrically interlocked seatbelt provides additional passenger security. Super-Trac will not operate unless seatbelt is fastened.

10 Loading Ramp

An integrated loading ramp with non-skid surface makes wheelchair boarding easy.

11 Hydraulic Tilt

A powerful hydraulic piston tilts the wheelchair platform position for travel on the stairs.



HOW IT WORKS

The Super-Trac climbs up and down stairs on steel-reinforced rubber tracks driven by dual, battery-powered motors. It comes with a DVD that gives a detailed explanation of how to properly operate the unit.



A small operator can easily transport a passenger in a heavy power wheelchair. Above, the passenger has boarded the platform using the integrated ramp. The wheelchair is secured by four adjustable tie-down straps. An electrically interlocked seat belt provides passenger security.

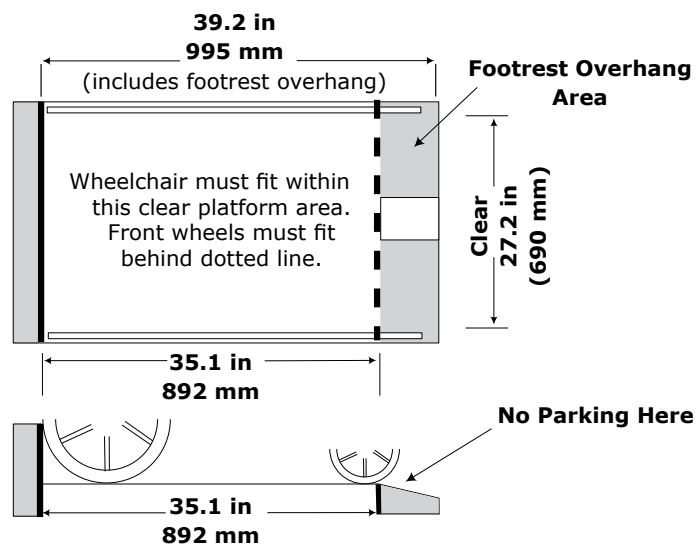


Once the Super-Trac has been rolled to the base of the stairway, the operator will then tilt the platform using the hydraulic tilt control, and begin climbing the stairs.



When on the stairs, the passenger sits in a comfortable, level position. No exertion is required on the part of the operator who simply guides Super-Trac.

CLEARANCES





SUPER-TRAC

Need Design Assistance? Call your local Garaventa Lift representative or our Design Hotline at 1.800.663.6556

SPECIFICATIONS

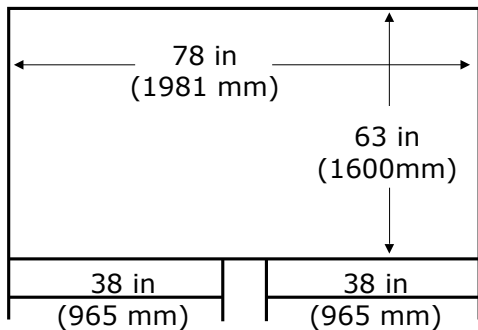
Max Capacity	440 lbs/200kgs
Max Stair Angle	35°
Power	Sealed Batteries 24 V
Charging	Automatic 110/220 VAC
Brake	Fail-safe Electromagnetic
Weight	253 lbs (115 kgs)
Speed Up	21.4 ft (6.5 m) / min
Speed Down	34.7 ft (10.6 m) / min

BENEFITS

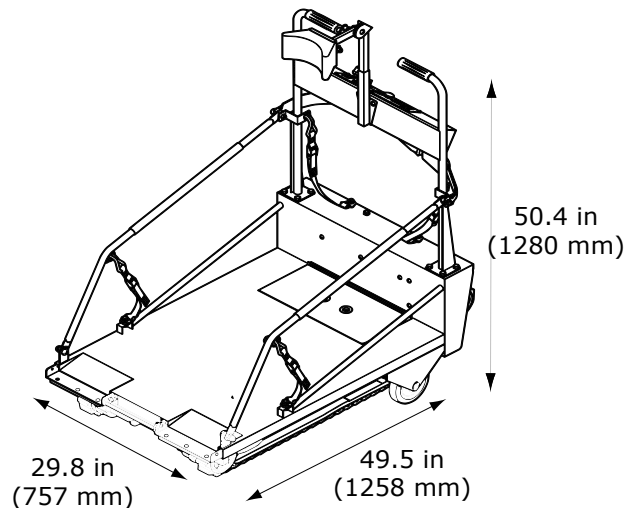
- Instant accessibility solution
- Economical compared to elevators and custom designed wheelchair lifts
- Requires no building renovations, no installation permits or licenses
- No permanent impact on stairway egress width
- A single unit provides access into many buildings
- Easily stored in a secure area when not in use
- Requires minimal maintenance compared to an elevator or wheelchair lift
- Great backup system for an elevator if power fails

DIMENSIONS

Stair Turnback Dimensions



Machine Dimensions



Contact us today:
(800) 663-6556 | garaventlift.com

© Garaventa Lift. As we are continuously improving our products, specifications outlined in this brochure are subject to change without notice. Due to the nature of the printing process, colors shown in the brochure may not be an accurate representation of the actual product.



15802-I-PB-EN

Authorized Garaventa Lift Representative