

ELVORON CPL

Vertical platform lift with a full height cab



The Elvoron CPL is a vertical platform lift equipped with a full height cab and a non-load bearing ceiling. It looks and feels like a small elevator but costs much less. The Elvoron CPL is designed to provide access for people with disabilities in commercial buildings. Simple constant pressure operation and swing door access ensure reliability and ease of operation for passengers.

The Elvoron CPL - The Vertical Lift with the Heart of an Elevator

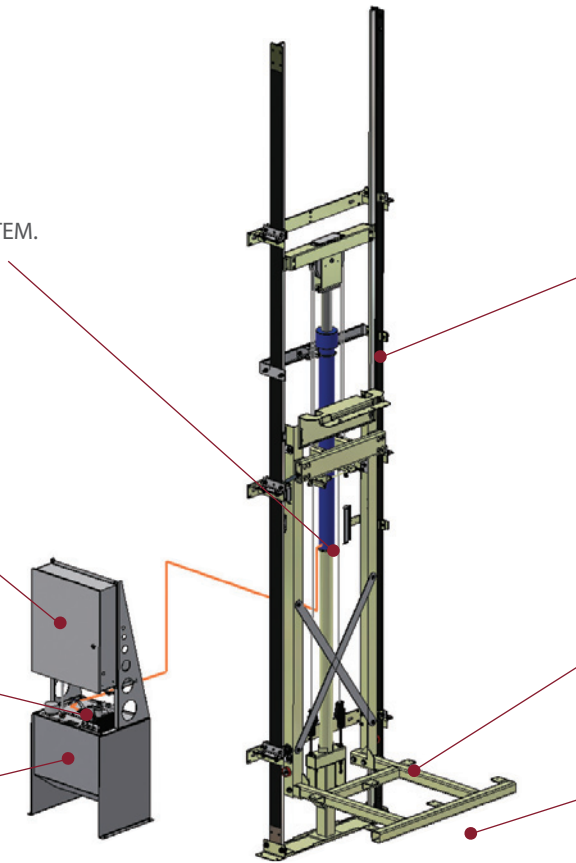
When choosing a vertical lift, it's what you don't see that really counts. Our Elvoron design team selected only heavy duty structural components and well-proven drive and control systems to ensure safety, comfort and long-term reliability.

1:2 CABLE HYDRAULIC DRIVE WITH AUTOMATIC LEVELING, EMERGENCY MANUAL LOWERING AND INSTANTANEOUS SAFETY BRAKE SYSTEM.

COMPUTERIZED (PLC) CONTROLLER HAS AN EMERGENCY BACKUP POWER SYSTEM FOR LOWERING IN THE EVENT OF POWER FAILURE.

TWO-SPEED HYDRAULIC CONTROL VALVE PROVIDES SMOOTH, COMFORTABLE STARTING AND STOPPING.

SUBMERSED HYDRAULIC PUMP AND MOTOR ENSURES QUIET OPERATION.



STURDY 8 LBS PER FOOT ELEVATOR GUIDE RAIL SYSTEM ENSURES A SMOOTH, QUIET RIDE

HEAVY DUTY CANTILEVERED CAR SUPPORT SLING PROVIDES CAPACITY OF UP TO 1,400 LBS (635 KG).

RECOMMENDED PIT DEPTH IS 8" (203 MM). SHALLOWER DEPTHS ARE FEASIBLE. HIGHER CAPACITY AND WIDER CARS REQUIRE A 12" (305MM) PIT DEPTH.

Elvoron Controls - Simple & Functional with a Choice of Finishes

The controls of the Elvoron CPL are the same as would be found on a commercial elevator. However, operation is constant pressure. The Car Operating Panel and Hall Stations are available in Brushed Stainless Steel, Brass and Antique Brass Finishes.



Car Operating Panel (COP)

The Elvoron COP is equipped with a digital floor indicator, illuminated floor selection buttons, and an emergency stop and alarm switch. An optional integrated hands-free phone is available.



Keyed Hall Station

Security Key Control

For increased safety and security, an optional key switch allows the entire elevator to be deactivated. Key switches can also be custom designed to deactivate only certain hall stations or to control access to certain floors. Keyed operation may be required by code in some areas.

Hall Stations

Elvoron hall station buttons illuminate when pushed and whenever the lift is in use. The push button itself is always made of stainless steel for maximum durability. Face plates are available in our three standard finishes. The hall stations can be mounted into the door frame or wall mounted.



Antique Brass

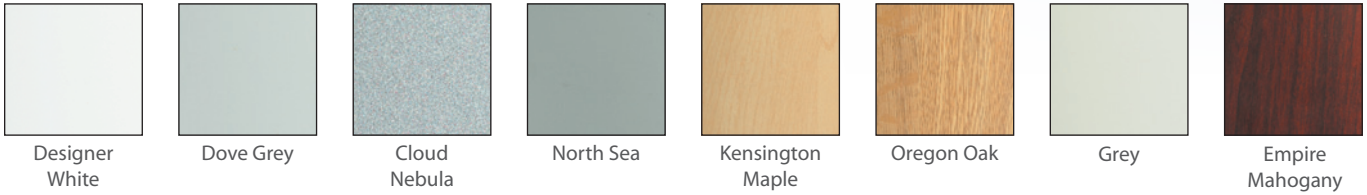
Brass

Brushed Stainless Steel

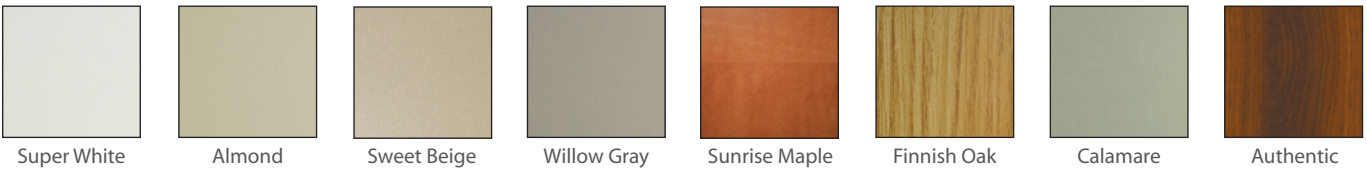
Doors, Fixtures & Finishes

Your Elvoron CPL will be a key feature of your building. Interior design and finish are important considerations. We offer a variety of attractive and durable wall and ceiling finishes as shown below. If you're looking for something a little different, our custom shop can build you the vertical platform lift of your dreams! All lifts are supplied with basic plywood floors ready for installation of your preferred flooring material, as supplied by others.

Laminate Car Wall Selection - Durable and easy to clean. Offered in a choice of 8 colors.



Melamine Car Wall Selection - Economical finishes. Offered in a choice of 8 colors.



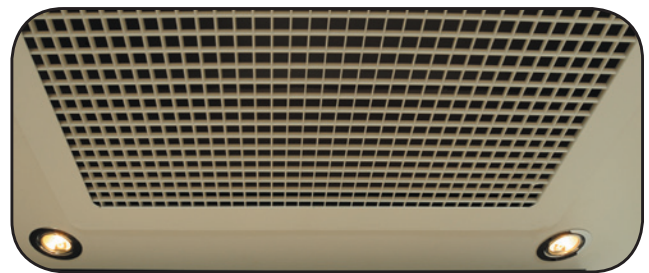
Entrance Doors

The Elvoron CPL is equipped with fire rated swing doors that are fitted with protective interlocks that allow the doors to open only when the car is at the landing. The doors also include a vision panel and time delay door closer. Optional power door operators are also available. CPL doors are supplied with a primer finish ready to be painted to match your décor.



Handrail Choices

All Elvoron cars are equipped with one handrail on the control wall. The handrails are available in three finishes or can be customized. Additional handrails can be mounted on the other car walls for extra passenger safety.



Ceilings & Halogen Lighting

The CPL features a unique egg crate style ceiling as required by national safety codes for vertical platform lifts equipped with full height cabs. The perimeter of ceiling is fitted with 4 low voltage halogen lamps that illuminate automatically.

Other Garaventa Products:



Garaventa Elverson LU/LA

The Elverson LU/LA is a limited use limited application elevator designed for low rise and low occupancy buildings. It is fully automatic in operation and is very similar in look and feel to larger commercial elevators. The Elverson LU/LA provides vertical access for everyone, including able bodied passengers, persons with disabilities and even children in strollers. This compact elevator can also be used in luxury residential applications where the characteristics of a commercial elevator are desired.

Free Design Assistance!

Call your local
Garaventa representative
or our Design Hotline
at 1.800.663.6556

Architects!

Many resources are available at www.garaventalift.com

- Design Specifications
- CAD Blocks
- Design and Planning Guides
- Photo Gallery

Garaventa Lift

Toll Free: 1.800.663.6556
Phone: +1.604.594.0422
Fax: +1.604.594.9915

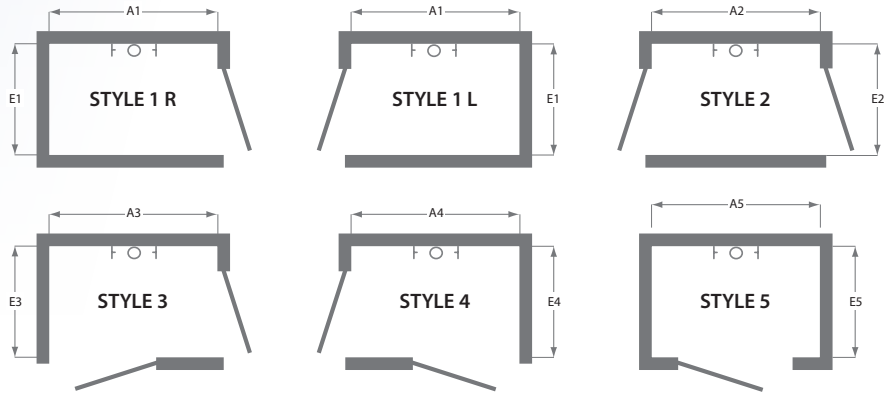
Email: productinfo@garaventalift.com
Web site: www.garaventalift.com
Global Portal: www.garaventaliftgroup.com

© Garaventa Lift. As we are continuously improving our products, specifications outlined in this brochure are subject to change without notice.

Printed in Canada
37158-D-PB

Garaventa Elverson CPL Model

Clear Inside Hoistway Dimensions (custom sizes available)



Car Size	A1	E1	A2	E2	A3	E3	A4	E4	A5	E5
36" x 60" (914 x 1524)	63 5/8" (1616)	52 3/4" (1340)	61 1/4" (1556)	52 3/4" (1340)	66 1/8" (1680)	53 3/8" (1356)	66 1/8" (1680)	53 3/8" (1356)	66 1/4" (1683)	52 3/4" (1340)
42" x 60" (1067 x 1524)	67 5/8" (1718)	58 3/4" (1492)	69 1/4" (1759)	58 3/4" (1492)	70 1/8" (1781)	59 3/8" (1508)	70 1/8" (1781)	59 3/8" (1508)	66 1/4" (1683)	58 3/4" (1492)
48" x 60" (1220 x 1524)	67 5/8" (1718)	64 3/4" (1645)	69 1/4" (1759)	64 3/4" (1645)	70 1/8" (1781)	65 3/8" (1661)	70 1/8" (1781)	65 3/8" (1661)	66 1/4" (1683)	64 3/4" (1645)

Warning about Vertical Platform Lifts:

Local code authorities may have a limit on travel, capacity, car sizes and speed. Contact Garaventa before starting your project.

Technical Information:

Car Sizes:

Select one of the standard sizes or contact Garaventa to custom fit your vertical lift

Rated Load:

Standard: 750 lbs (340 kg)
Option 1: 1000 lbs (455 kg)
Option 2: 1400 lbs (635 kg) - contact Garaventa

Speed:

Standard: 30 fpm (0.15 m/s) nominal speed
Option: 40 fpm (0.2 m/s) - contact Garaventa

Travel Range:

CSA B355: 23 ft (7.0 meters)
A18.1: 14 ft (4.2 meters)
Option: 50 ft (15.2 meters) - contact Garaventa

Stops:

Up to 6 stops

Pit Depth:

Recommended 8" (203mm) depends on car size, rated load and floor finish thickness

Drive System:

1:2 Cable Hydraulic
Heavy Duty car sling with roller guide shoes running on 8 lb. per foot steel T-Rails
Quiet submersed pump and motor
Factory pre-set and tested 2-Speed valve for smooth start and stop

Power Supply:

Elevator: Standard: 208 VAC three phase
Option: 230 VAC single phase
Lighting: 110 VAC single phase, 15 amps

Controls:

Constant Pressure button operation (floor selective)
Garaventa-Design PLC Controller
Integrated self-diagnostics
Digital floor indicator in car
Automatic car lighting upon entry
Illuminated push buttons

Hoistway Doors:

36" (914mm) wide swing doors, fire rated and flush on the inside of the hoistway

Safety Features:

Emergency backup power system
Emergency manual lowering valve
Safety brake system
Automatic bi-directional floor levelling
Emergency stop and alarm button in car
Final limit switch

Code Compliance:

ASME A18.1, Platform Lifts & Stairway Chair Lifts
CSA B355 & B613, Safety Standard for Lifts for Persons with Physical Disabilities
ADA (Americans with Disabilities Act)

Popular Options:

Automatic door operators
Integrated hands free telephone
Custom car finishes
Additional handrails
Buffer springs (increases your pit depth)

Warranty:

Two year standard warranty
Option to extend warranty to seven years



Authorized Garaventa Lift Representative

