

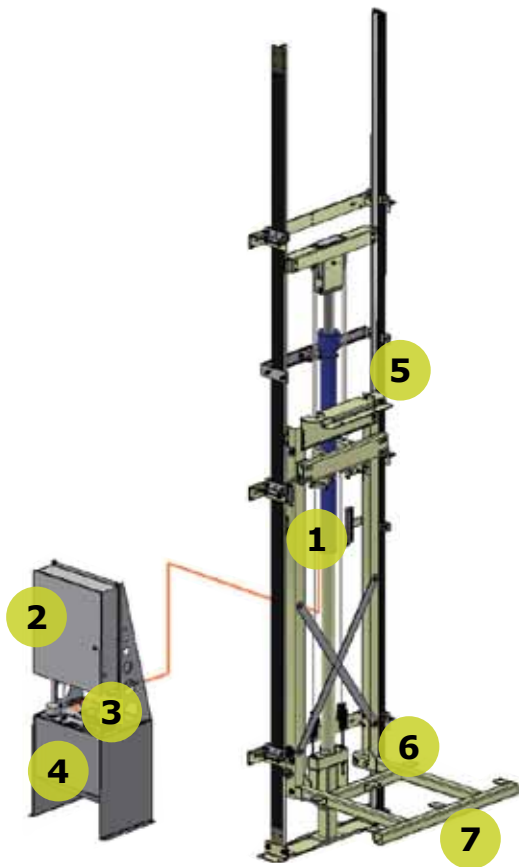
ELVORON CPL

COMMERCIAL PLATFORM LIFT



Vertical platform lift with a full height cab

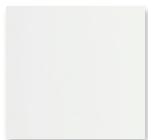
DRIVE SYSTEM



- 1** 1:2 Cable Hydraulic Drive
- 2** Computerized (PLC) controller has an emergency backup power system for lowering in the event of power failure.
- 3** Two-speed hydraulic control valve provides smooth, comfortable starting and stopping.
- 4** Submersed hydraulic pump and motor ensures quiet operation.
- 5** Sturdy 8 lbs per foot elevator guide rail system ensures a smooth, quiet ride
- 6** Heavy duty cantilevered car support sling provides capacity of up to 1,400 lbs (635 kg).
- 7** Recommended pit depth is 8" (203 mm). Shallower depths are feasible. Higher capacity and wider cars require a 12" (305mm) pit depth.

WALL FINISHES

Laminate



Designer
White



Dove
Grey



Cloud
Nebula



Kensington
Maple

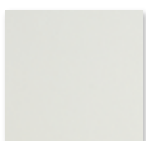


New Age
Oak

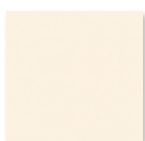


Empire
Mahogany

Melamine



Super
White



Antique
White



Sweet
Beige



Willow Grey



Sunrise
Maple



Finnish
Oak



Calamare



Authentic

FINISHES

Entrance Doors



The CPL is equipped with fire rated swing doors that are fitted with electro-mechanical interlocks. This allows the doors to open only when the car is at the landing. The doors also include a vision panel and UL listed 2-speed closer with adjustable back-check cushioning (meets ADA requirements). Optional power door operators are also available. CPL doors are supplied with a primer finish.

Car Operating Panels (COP)



All CPL cars are controlled by constant pressure button operation as required by national safety codes. The COP includes a digital floor display, floor selection buttons and emergency stop alarm/button. Floor selection buttons can be fitted with numbers or letters. Ensure passenger safety and security with an optional hands-free telephone.

Ceiling & Lighting



The CPL features a unique egg crate style ceiling as required by national safety codes. The perimeter of the ceiling is fitted with 4 low voltage halogen lamps that illuminate automatically.

Handrails



Brushed
Stainless Steel

All CPL cars are equipped with one handrail on the control wall. Additional handrails can be mounted for extra passenger safety.

Keyed Hall Station



Brushed
Stainless Steel

For increased safety and security, an optional key switch allows the entire elevator to be deactivated. Key switches can be custom designed to deactivate only certain hall stations or to control access to certain floors.

Hall Stations

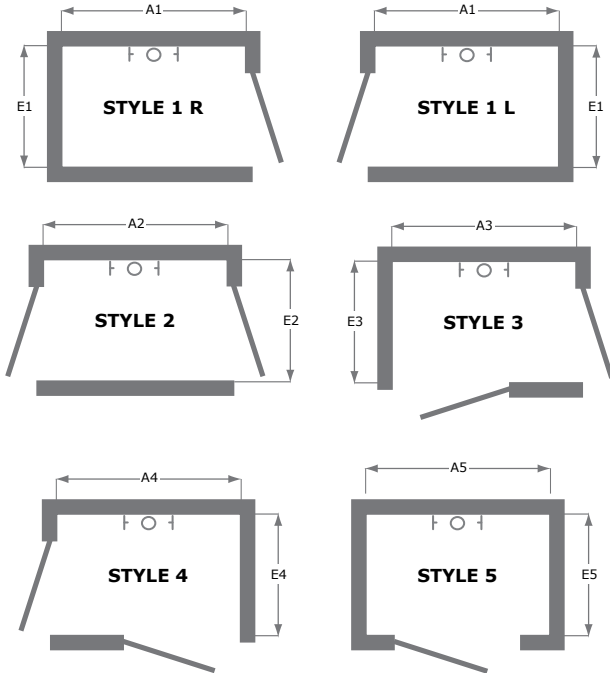


Brushed
Stainless Steel

Hall station buttons illuminate when pushed. The push buttons are made of stainless steel for maximum durability.

ENTRY & EXIT CONFIGURATIONS

Vertical Platform Lifts Warning: Local code authorities may have a limit on travel, capacity, car sizes and speed. Contact Garaventa Lift before starting your project.



SPECIFICATIONS

Rated Load: Standard 750 lbs (340 kg) or 1,000 lbs (455 kg) | Optional 1,400 lbs (635 kg)

Speed: 30 ft/min (0.15 m/s) nominal speed | Optional 36 ft/min (0.18 m/s)

Power Supply: Elevator: Standard 208 VAC 3 phase | Optional 230 VAC single phase | Lighting: 110 VAC single phase, 15 amps

Safety Features: Emergency battery lowering | Emergency manual lowering valve | Safety brake system | Automatic bi-directional floor levelling | Emergency stop and alarm button in car | Final limit switch

Travel Range: CSA B355: 23 ft (7.0 meters) | A18.1: 14ft (4.2 meters) | Optional (where permitted) 50 ft (15.2 meters)

Code Compliance: ASME A18.1 | CSA B355 & B613

Popular Options: Automatic door operators | Integrated hands free telephone | Custom car finishes | Additional handrails | Buffer springs (increases your pit depth)

Warranty: 2 year standard warranty | Optional additional 5 year extended warranty (7 years)

HOISTWAY DIMENSIONS

750 lbs (340 kg) or 1,000 lbs (455 kg) models only.

Car Size*	E1	A1	E2	A2	E3	A3	E4	A4	E5	A5
36" x 60" (914 x 1524)	52 3/4" (1340)	63 5/8" (1616)	52 3/4" (1340)	61 1/4" (1556)	53 3/8" (1356)	66 1/8" (1680)	53 3/8" (1356)	66 1/8" (1680)	53 3/8" (1356)	66 1/4" (1683)
42" x 60" (1067 x 1524)	58 3/4" (1492)	67 5/8" (1718)	58 3/4" (1492)	69 1/4" (1759)	59 3/8" (1508)	70 1/8" (1781)	59 3/8" (1508)	70 1/8" (1781)	59 3/8" (1508)	66 1/4" (1683)
48" x 60" (1220 x 1524)	64 3/4" (1645)	67 5/8" (1718)	64 3/4" (1645)	69 1/4" (1759)	65 3/8" (1661)	70 1/8" (1781)	65 3/8" (1661)	70 1/8" (1781)	65 3/8" (1661)	66 1/4" (1683)

* Custom sizes available. 1400 lbs (635 kg) models are only available in larger sizes. Please contact Garaventa Lift for details.



For design assistance:

(800) 663-6556 | garaventalift.com

© Garaventa Lift. As we are continuously improving our products, specifications outlined in this brochure are subject to change without notice. Due to the nature of the printing process, colors shown in the brochure may not be an accurate representation of the actual product.

37158-K-PB-EN

Authorized Garaventa Lift Representative